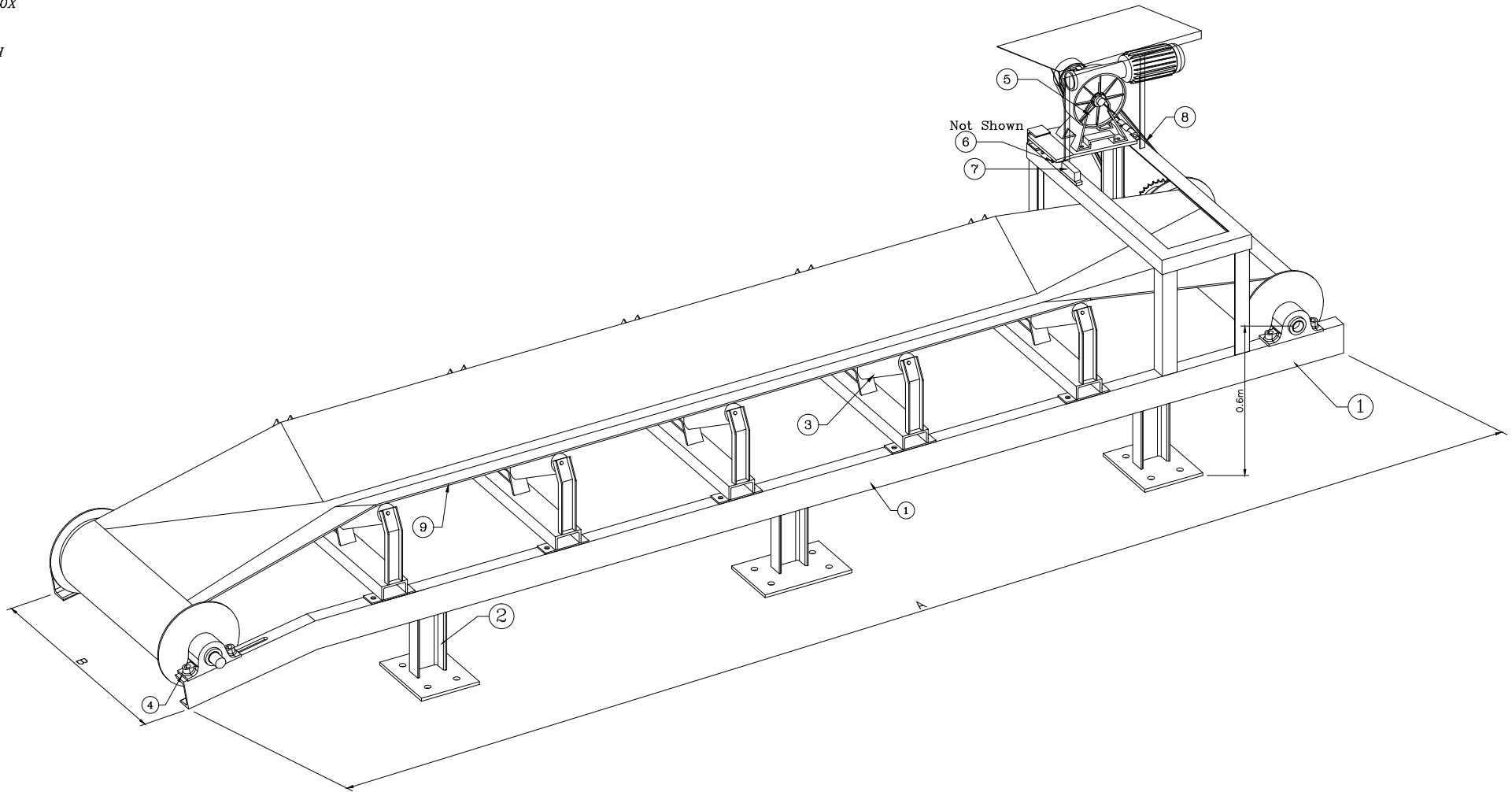




# BELT CONVEYOR

- ① FRAME
- ② PROFILE
- ③ ROLLER
- ④ BEARING
- ⑤ MOTOR GEARBOX
- ⑥ SPRING
- ⑦ MICRO SWITCH
- ⑧ CHAIN
- ⑨ BELT



LENGTH "A" (m)	WITH "B" (m)	POWER (KW)
*	0.50	0.75