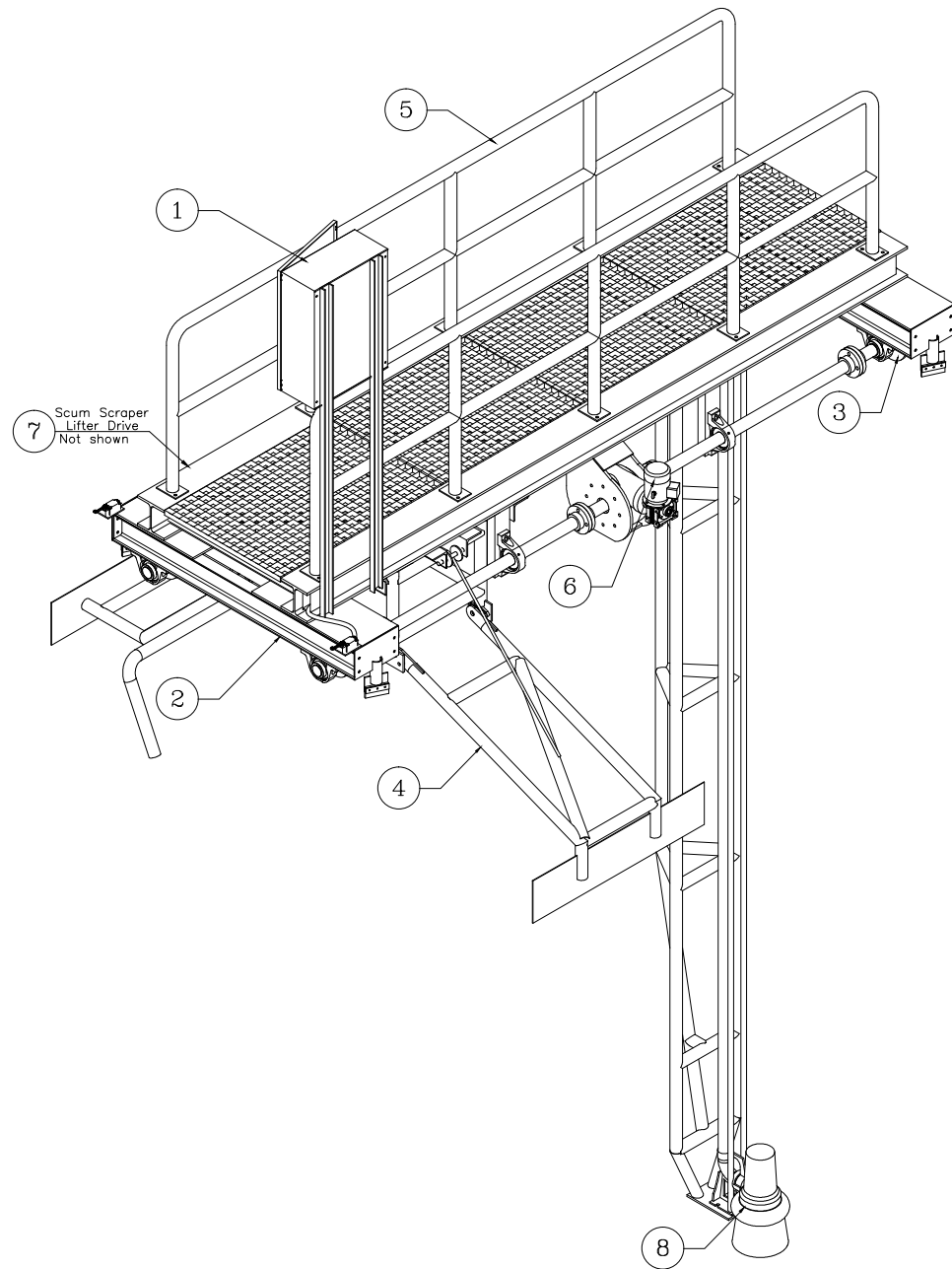
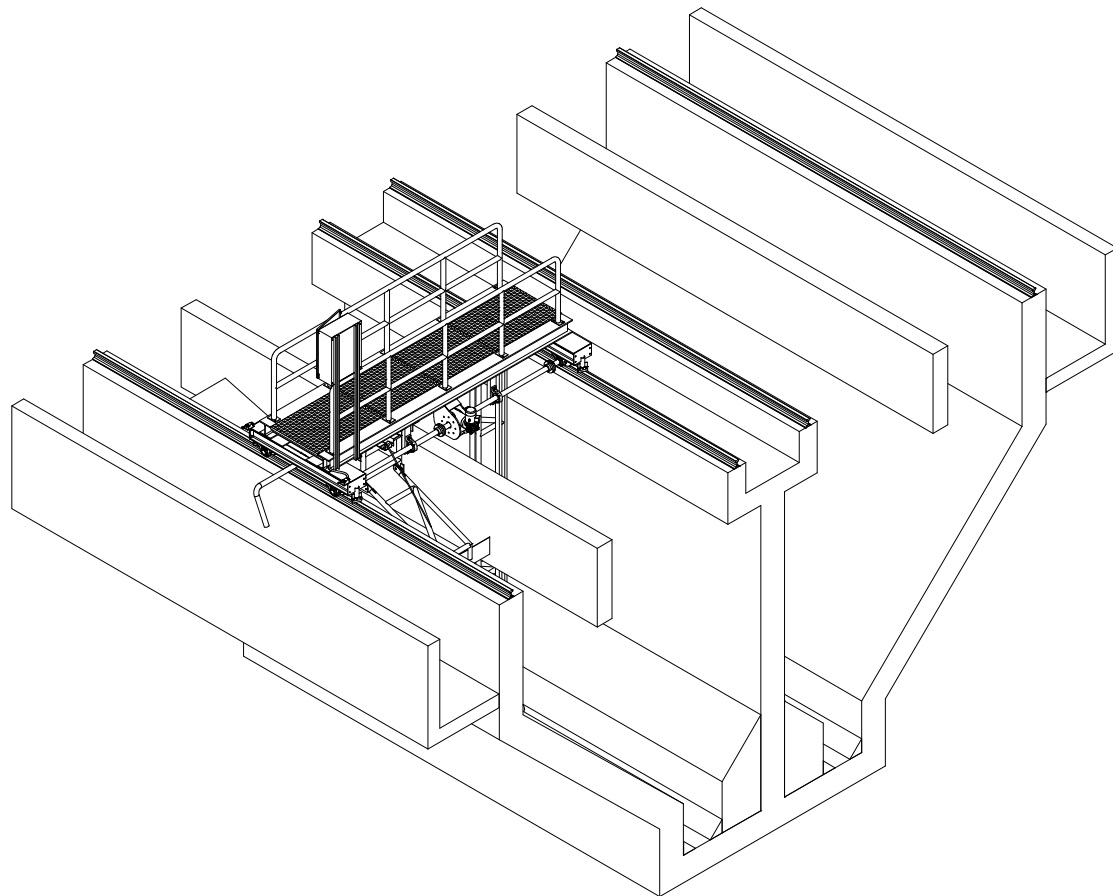




GRIT & GREASE REMOVAL BRIDGE
(SUCTION OR SCRAPER)



- ① CONTROL PANNEL
- ② TRAVELING BRIDGE
- ③ WEELS
- ④ SCUM SCRAPER
- ⑤ HANDWEEL
- ⑥ TRAVELING DRIVE
- ⑦ SCRAPER LIFTER DRIVE
- ⑧ GRIT PUMP

LENGTH (m)	WITH (m)	POWER (LIFTING) (KW)	POWER (TRAVELING) (KW)	TRAVELING SPEED (m/min)
5-50	1.5-8	0.37	0.55	1.5-2